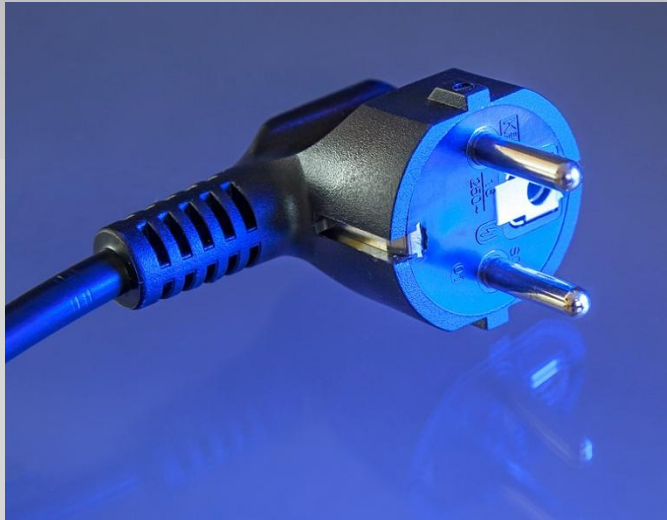


# Schuko plug angled 3-pin S001

## Description:

The Schuko plug is capable for voltages up to 16 A and maximum 250 V. Typical fields of application are devices with protection class I with double earthing system. Because of the earthing contact upfront the conductive parts of the appliance are grounded before the pins reach the socket. Not licensed in England, Ireland and Switzerland.

## Picture:



## Certification:

CEE 7/XVII DIN 49441-R2  
DIN VDE 0624

KEMA, CB, Dekra, VDE

## Types:

H03VV-F                    3G0,75<sup>2</sup>  
H05VV-F                    3G0,75<sup>2</sup> ; 3G1,0<sup>2</sup> ; 3G1,5<sup>2</sup>  
H05V2V2-F                3G0,75<sup>2</sup>

	wire lengths	stripping measure	skinning measure
Min	600 mm	32 mm	32 mm
Max	6000 mm	240 mm	240 mm

## Colors:

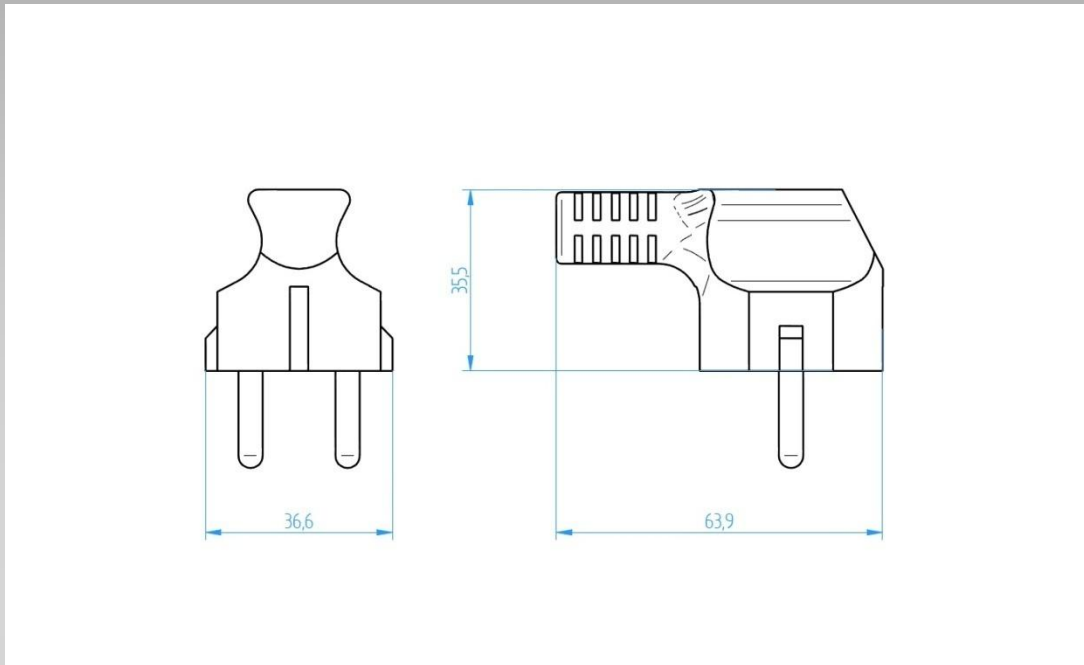
white, black, grey RAL 7035 / 7040  
→ other colors are available on request

# UNGER

Kabel-Konfektionstechnik GmbH & Co. KG

# Schuko plug angled 3-pin S001

## Dimensions:



## Variants:

- with or without protection cover
- with Full- or barrel pins
- with jumper for 750 or 850 degree filament test



## Options:

The presented article is a possible variant. In dependence of the customer's requirements further variants with specific functions and special design are possible.

# UNGER

Kabel-Konfektionstechnik GmbH & Co. KG